

VERTICAL SECTION CAR

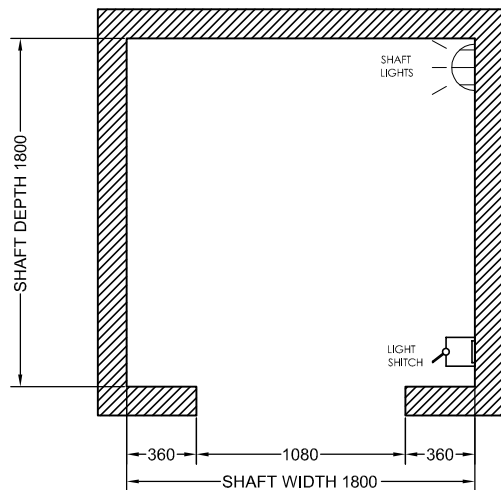
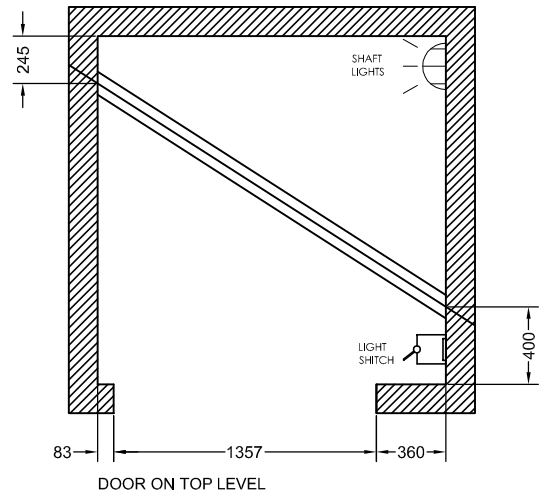
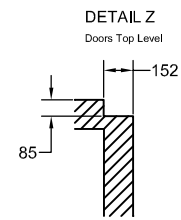
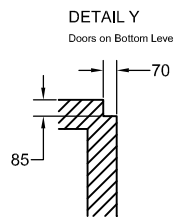
MAIN FEATURES

Nominal load: 630 kg
 8 persons
 Speed: 1 m/s
 Travel: 3 m
 N. of stops: 2
 N° of Doors: 2

Power voltage: 400 V
 N. of phases: 3
 Frequency: 50 Hz
 Lighting Power: 230 V
 4.66 kW
 6.3 HP
 Nominal current: 10.5 A
 Starting current: 21 A

Deadweight car+frame: 812 kg

Controller type: SIMPLEX



DOOR ON BOTTOM LEVEL

SCALE

DRAWN B. CAFFREY
 JULY 2008

UNIT

CHECKED

mm

DRAWING TYPE: BUILDERS DRAWING
 LIFT DETAILS: 630kg 8 PERSON 2 STOP IN-LINE MRL TRACTION WITH 800mm CENTRE OPENING DOORS
 NOTE: INFORMATION ONLY DRAWING

